

SHEET 1 OF 2 SHEETS

CHANGE
22 December 1976 1
22 August 1977 2

CIRCUIT DIAGRAM :- R51016 A3
ASSEMBLY PCB :- R51020A4
ASSEMBLY :- R51014 A3

ITEM No.	QTY	DESCRIPTION	CCT REF.	BBC REF. OR DRG. No.
1	1	QUAD 405 CURRENT DAMPING AMPLIFIER THE ACOUSTICAL MANUFACTURING Co LTD		
1a	w	SIDE PLATE MODIFIED TO		R51019 A4
1b	w	COVER MODIFIED TO		R51024 A3
1c	w	QUAD 405 MODIFIED TO		R51113A2
2	1	PRINTED WIRING BOARD DRILLED TO		R51012 A3 R51069A4
3	4	w MOUNTING PILLAR		R51017 A4 DET.2
4	1	w MOUNTING BLOCK		R51017A4 DET.1
5	1	w JACK SPACER		R51022A4
6	1	w MOUNTING BRACKET		R51018A3
7	1	w TRANSFORMER BRACKET		R51021A4
8				
9	1	TRANSFORMER TO SPECIFICATION N° ARD 750 MSC	TI	
10		RESISTORS MULLARD MR25		
11	1	220 26877 - 320	R11	0099023
12	1	620 " - 360	R15	0099058
13	1	1K " - 398	R33	0099082
14	1	1K8 " - 414	R35	0099484
15	2	2K2 " - 420	R31.32	0099145
16	1	2K7 " - 425	R13	0099492
17	1	3K3 " - 431	R10	0099161
18	1	3K9 " - 437	R16	009917X
19	2	4K7 " - 445	R21.29	0099425
20	2	6K8 " - 466	R5.20	0099208
21	1	7K5 " - 473	R24	0228027
22	2	9K1 " - 489	R17.18	0228035
23	1	10K " - 498	R28	0099224
24	1	12K " - 502	R39	0228043
25	1	15K " - 508	R26	0099370
26	6	22K " - 520	R48.19	0228078
27	1	27K " - 525	R6	0099240
28	1	39K " - 537	R22	0099512
29	4	47K " - 545	R33.17	0099267
30	3	100K " - 598	R23.9	0228173
31	1	270K " - 625	R4	0228268
32				
33				
34	1	POTENTIOMETER 25KΩ 0.75" SPINDLE MORGANITE TYPE 'U'		0232698
35				
		CAPACITORS		
36	3	1nF 100V.DC. ERIE TYPE B101A-100-K450011	C202122	20647-276/0207737
37	1	1μF 35V.DC. TANTALUM UNION CARBIDE TYPE K1E35	C1	21125-440/0085220
38	4	15μF 20V.DC. TANTALUM UNION CARBIDE TYPE K1E35	C2-43	21124-463/0209372
39	1	47μF 35V.DC. SIMENS TYPE B41316-A7476-Z	C5	20814-447/0211281
40	2	33nF 63V.DC ±2% SALFORD TYPE PF/NE	C6.7.	21003-372/025381
41	1	8n2 125V.DC. POLYSTYRENE SALFORD PF/AA	C8	21004-348/001079
42				
43				

LOW-LEVEL CROSSOVER AND EQUALISER FOR LS 5/B

DRN. Paul Ayriss
TPD.
CKD.

R22919 A4

SHEET 2 OF
2 SHEETS

ISS.	1
CHANGE	22 December 1976
	22 August 1977

ITEM No.	No. OFF	DESCRIPTION	CCT REF.	BBC REF. OR DRG. No.
		CAPACITORS		
44	1	3n9 63V. DC. POLYSTYRENE SALFORD PF/NE	C23	21003-305/0205164
45	1	600n 160V. DC. POLYCARBONATE ADVANCE		
46		FILMCAP TYPE CMR2A	C9	21030-433/0208986
47	1	220 μ F 63V. DC. ELECTROLYTIC ERIE		
48		ERIE TYPE 21104-100-0221-0A-0630	C17	20726-504/0219858
49	1	220n 63V \pm 2% WIMA MKS.	C10	
50	2	4n7 63 V. DC. POLYSTYRENE SALFORD PF/NE	C11.12	21003-313/0205180
51	3	100n 160V. DC. POLYCARBONATE ADVANCE	C14.15.18	
		FILMCAP TYPE CMR2A		21030-406/0208951
52	1	100 μ F 125V. DC. SALFORD TYPE PF/AA	C16	21004-136/000937X
53	2	0.047 μ F 160V TROPYFOL M WIMA	C23,24	
54	1	SUPPRESSOR CAPACITOR RS N ^o 238-299	C25	
55				
56				
		DIODES		
58	1	1N4149	D1	
59	2	15V ZENER V215M4	D2.3	
60				
61				
62				
		TRANSISTORS		
64	1	BCY71	TR1	
65	5	2N2484	TR2.5.7	
66	3	2N3702	TR4.6.8	
67	1	BFX85	TR10	
68				
69				
70	1	KNOB,		54563-506
71	1	JACK, 5 POINT, TYPE 4112B		23211-215/0022213.
72	1	PLUG 3 POLE CANNON XLR-3-32		24933-403
73	4	POT MOUNTING PILLAR		R51036A4 DET 2
74	1	POT MOUNTING PLATE		R51036A4 DET 1
75				
76	1	FIXED MAINS INLET TYP XLR-LINE-32		27700301/00236
77	1	5 POLE FIXED SOCKET TYP XLR-5-31		27733405
78				
79				
80				

LOW-LEVEL CROSSOVER AND
EQUALISER FOR LS 5/8

DRN.
TPD.
CKD.

R 22919 A4

R51069A4

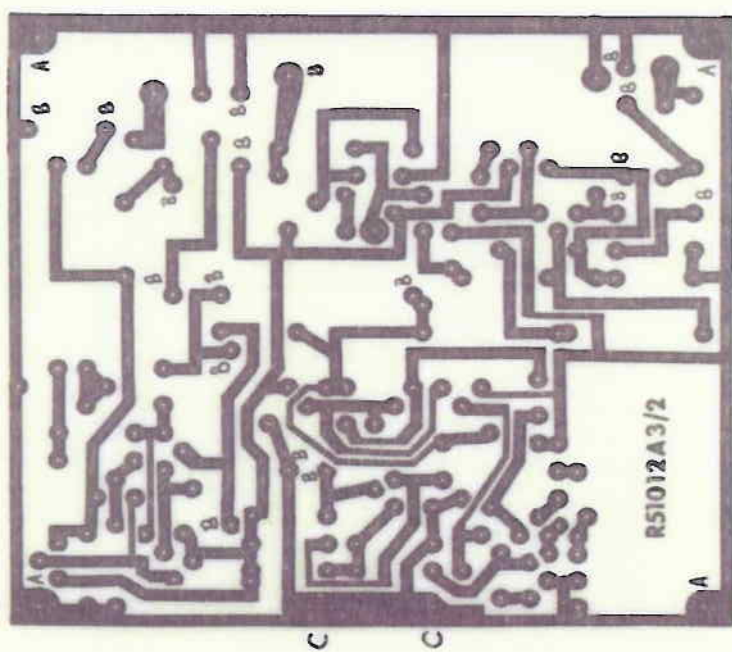
Original
Frame Size
199mm x 275mm

THIRD
ANGLE
PROJECTION

All dimensions in millimetres unless otherwise stated.
Normal tolerances:
2.0mm
0.25mm
0.15mm
Two decimal places
unless otherwise stated

HOLE	NO/OFF	DIA
A	4	3.10 mm
B	18	1.20 mm
C	2	2.6 mm

ALL REMAINING HOLES 0.85 DIA



CHANGE ISS

1 February 1977 2

*Do not
re-drill
1/2
2/2*

LOW-LEVEL CROSSOVER
AND EQUALISER FOR LS5/8
P.C.B. DRILLING

DRN	<i>2/2</i>
TCD	
CKD	
APPD	

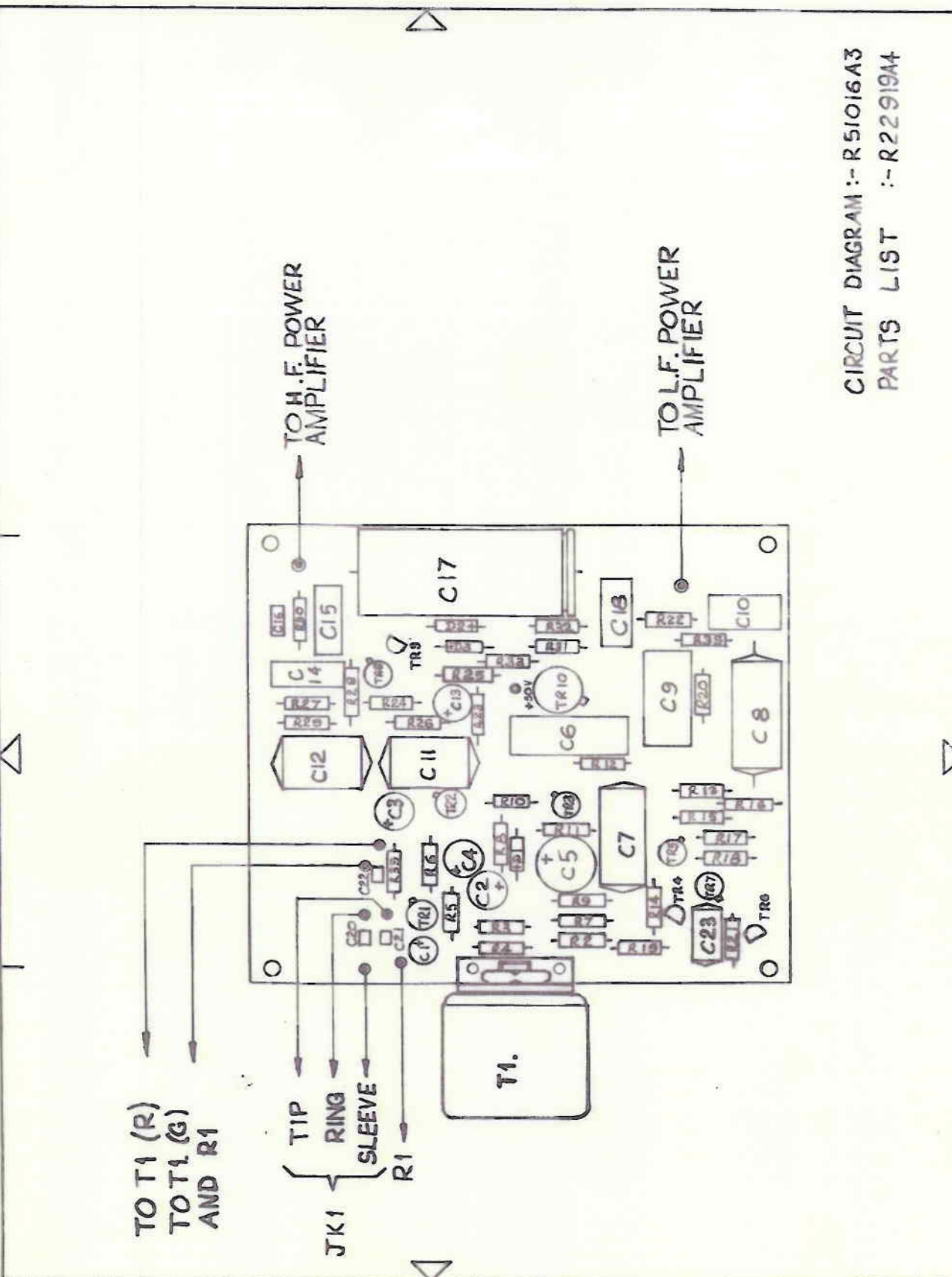
R51069A4

R51020A4

Original Frame Size
190mm x 277mm

THIRD ANGLE PROJECTION

All dimensions in millimetres unless otherwise stated
Normal tolerances:
no decimal place ±1 mm
one decimal place ±0.3mm
two decimal places ±0.1mm
unless otherwise stated



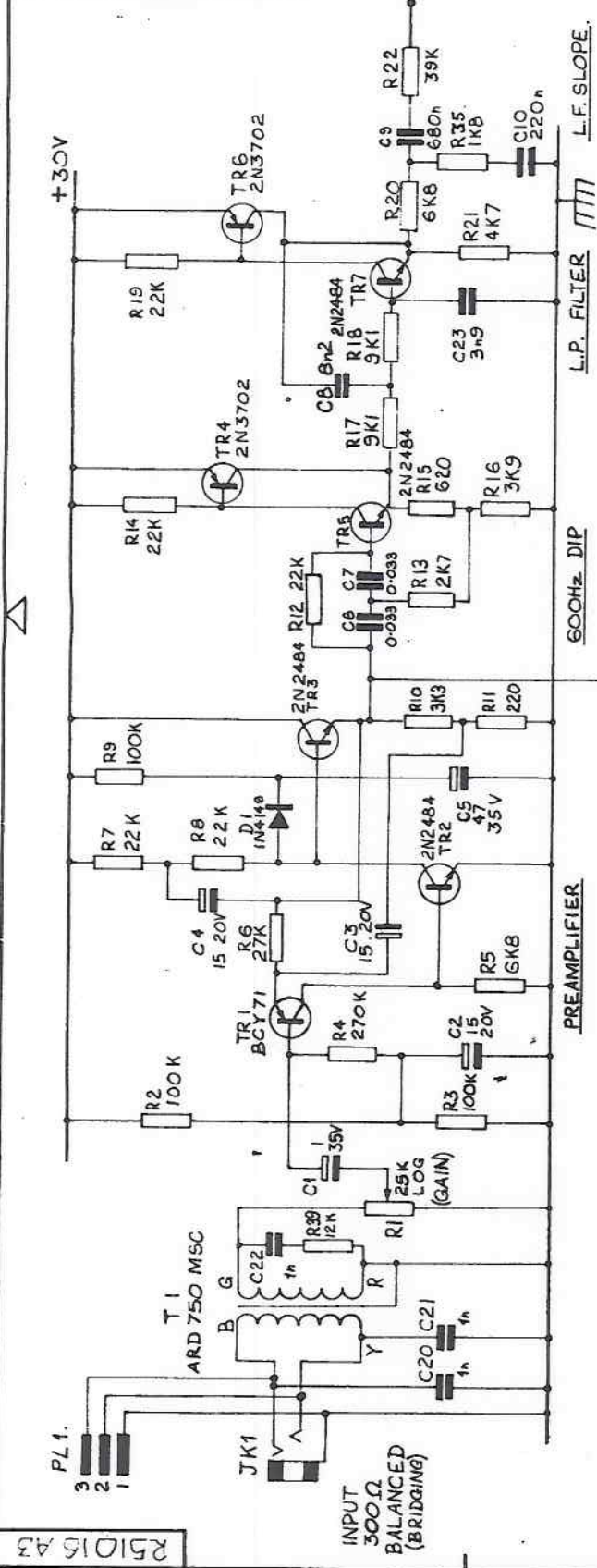
CIRCUIT DIAGRAM :- R51016A3
PARTS LIST :- R22919A4

CHANGE	ISS
15-12-76	1
<p>Do not MICRONITE - of 21.0.80</p>	

LOW-LEVEL CROSSOVER AND EQUALISER FOR LS5/8
P.C.B. LAY-OUT

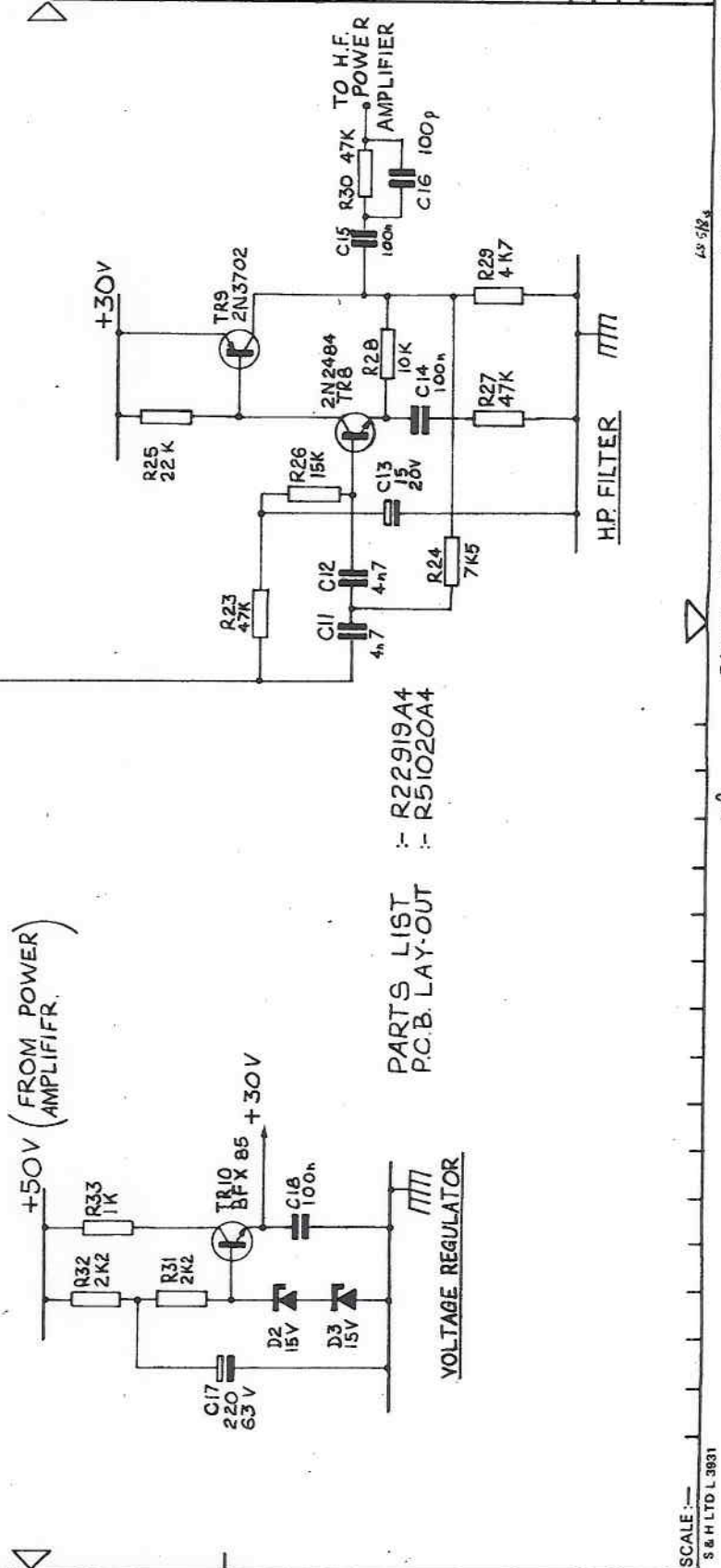
DRN	Paul King
TCD	
CKD	
APPD	CDM
R51020A4	

Original Frame Size	DS/A3
277mm x 400mm	ISS
CHANGE	1
13-17-76	2
25 February 1977	



R51016 A3

THIRD ANGLE PROJECTION			
All dimensions in millimetres unless otherwise stated:			
Normal tolerances	±1 mm		
no decimal places	±0.3mm		
one decimal place	±0.1mm		
two decimal places	unless otherwise stated		
LOW-LEVEL CROSSOVER AND EQUALISER FOR LS 5/8			
CIRCUIT DIAGRAM			
DRN.	TCD.	CKD.	APPD.
Paul Hayes			C DM
R51016 A3			



PARTS LIST :- R22919A4
:- R51020A4

SCALE :-
S & H LTD L 3831

EARLY VERSION of CCT was used in LRA1 (Rev. 0/0/0/0)