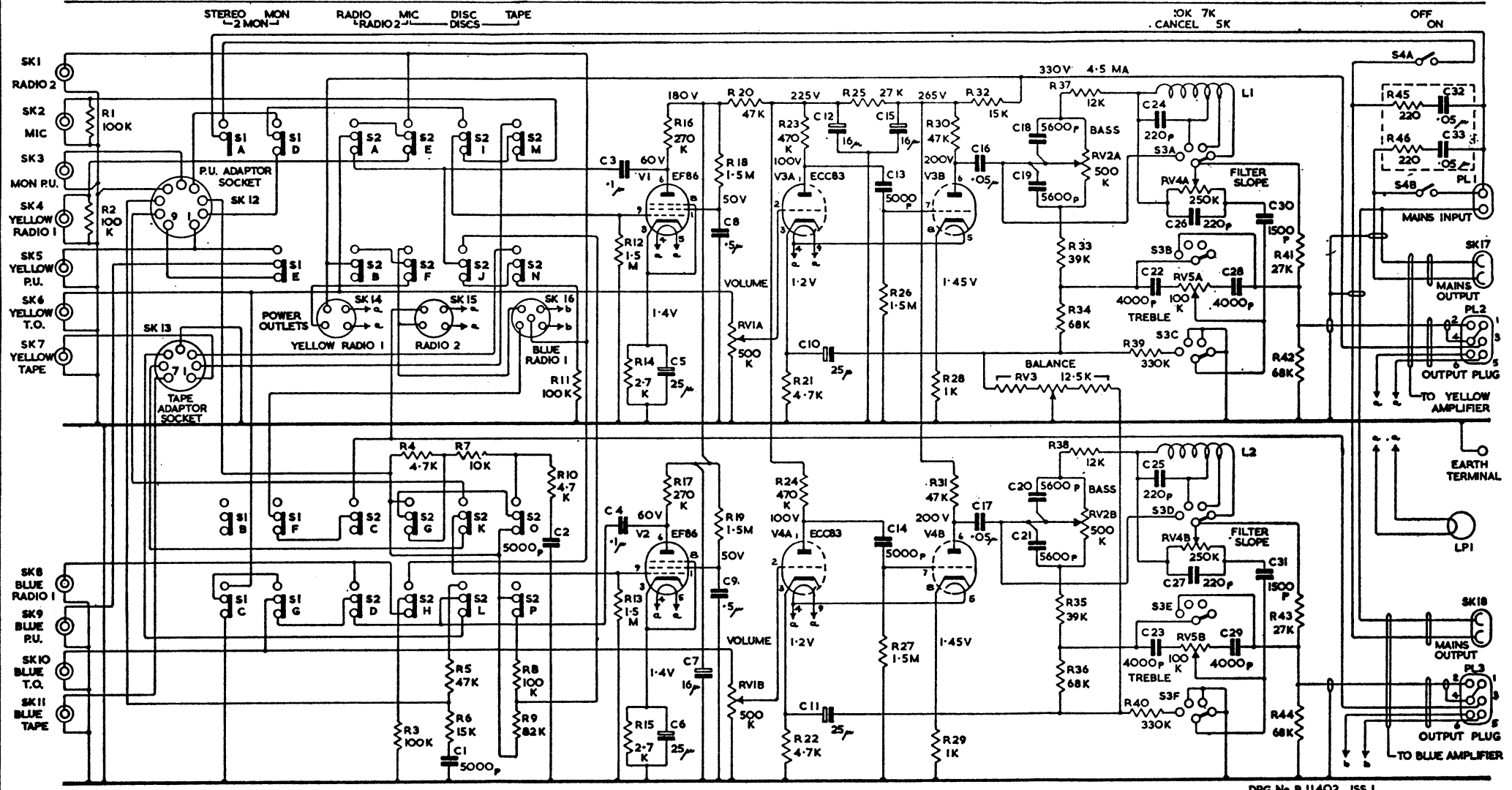


I	1	2	3	4	5	7	8	10	11	12	13	14	15	16	17	18	19	20	21	22	23	24	25	26	27	28	29	30	31	32	33	34	35	36	37	RV4A	RV4B	RV5A	RV5B	41	42	43	44	45	46	R	
C								2		3	4	5	6	7	8	9							10	11	12	13	14	15	16	17	18	19	20	21	22	23	24	25	26	27	28	29	30	31	32	33	C



THE VOLTAGE AND CURRENT MEASUREMENTS SHEWN ARE APPROXIMATE, AND ARE ONLY PROVIDED AS A GUIDE. ALLOWANCE SHOULD BE MADE FOR THE LOADING EFFECTS OF A VOLTMETER.

QUAD 22 CONTROL UNIT CIRCUIT DIAGRAM

Amendment December, 1959

C 15 } now 820 pF
C 14 }

C 16 } now .1 uF
C 17 }

C 34 } added .02 uF in series with volume control.
C 35 }