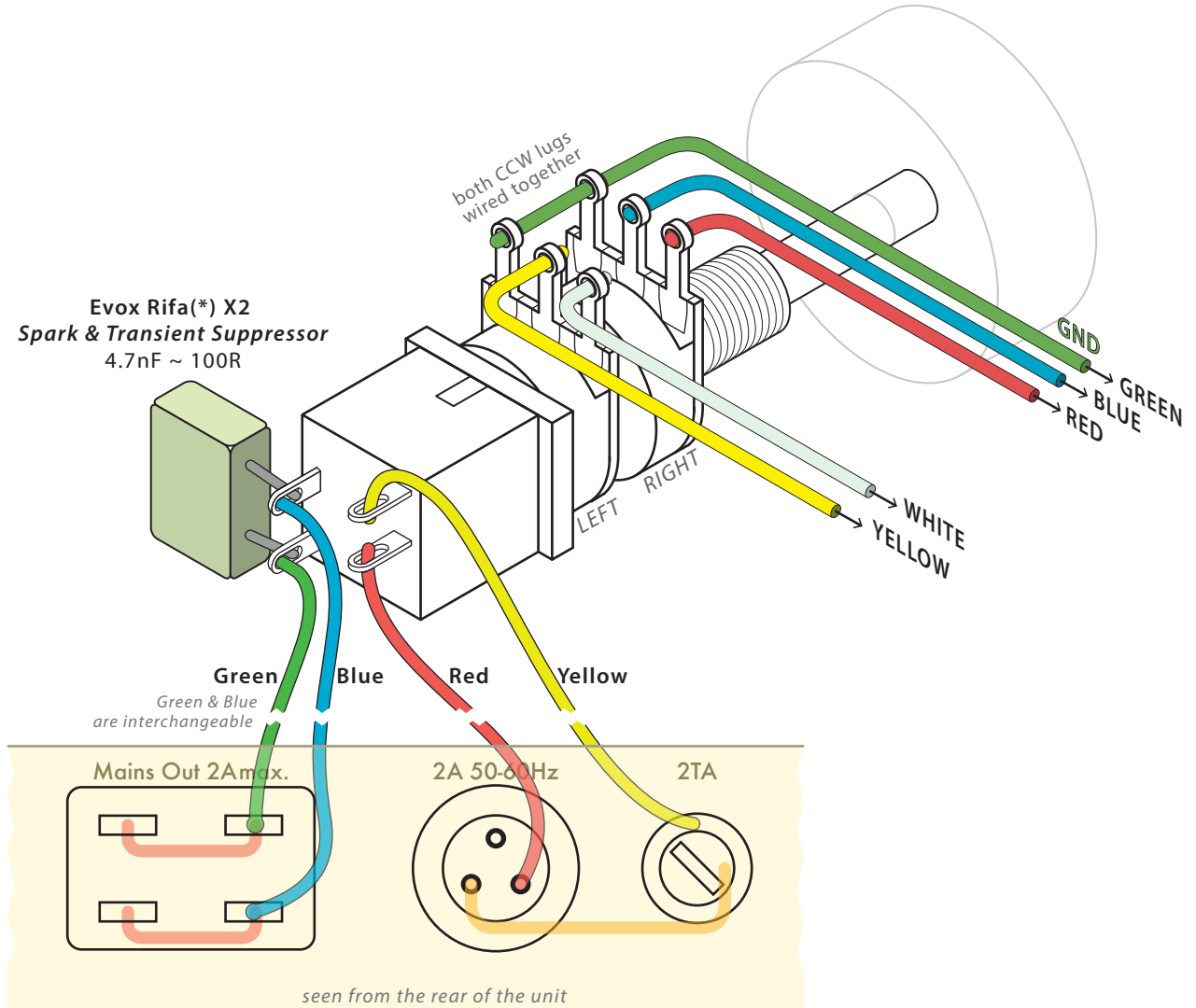
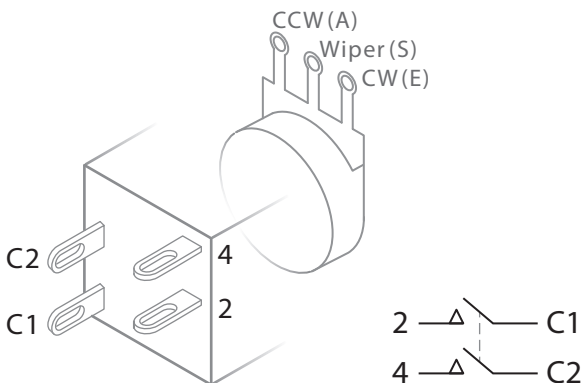


QUAD 33

Replacing & rewiring the Volume pot/switch with the OMEG pot/switch, as sold by DADA Electronics.



(*) <http://www.dadaelectronics.eu/shop/quad-second-hand-parts/new-quad-original-spare-parts/47k-stereo-log-potentiometer-with-switch>



SPECIFICATIONS

OMEG Rotary Switch with P20 pots

- Stereo 47K Log
- Life (operations at full load): 10.000 min.
- DPST - Double Pole, Single Throw (On-Off)
- 4A/250VAC ~ 10A/12VDC contact rating
- Surge rating (0.01 sec): 80A